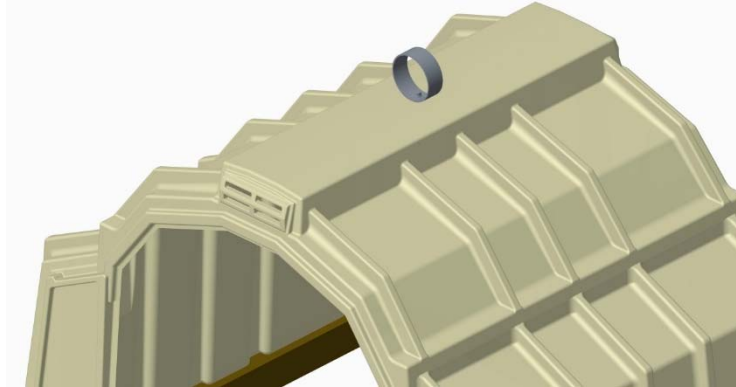




54|98 LIFTING DEVICE

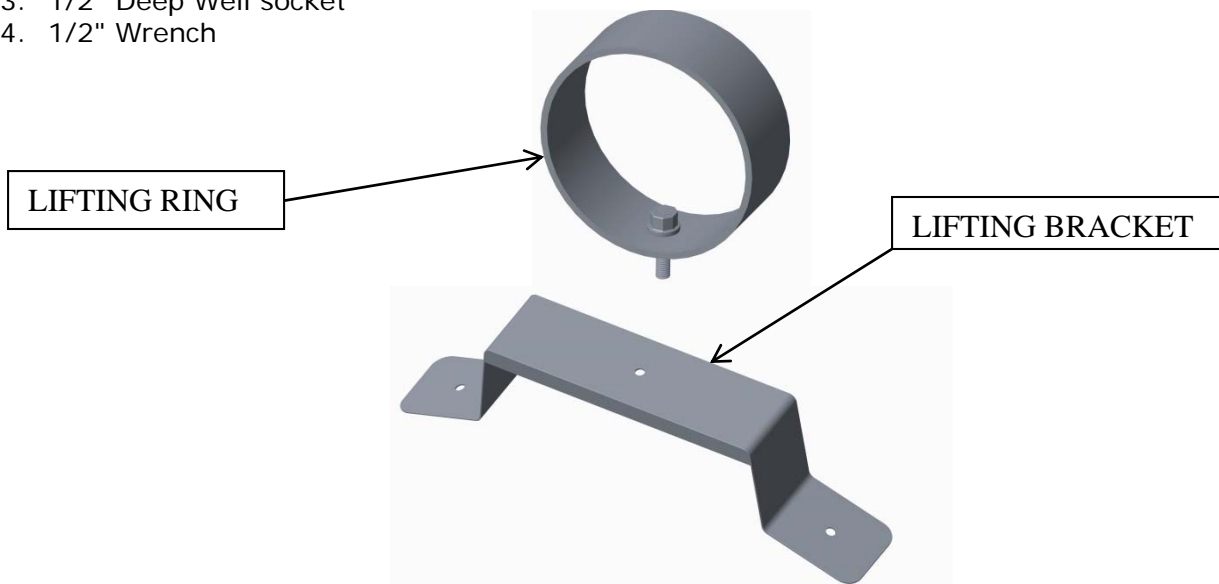


54|98 LIFTING DEVICE Bill of Material

| Item | Hempel Item Number | Description | Qty |
|------|--------------------|--|-----|
| 1 | CT-6192 | Lifting Bracket and Lifting Ring | 1 |
| 2 | CT-HDWE-004 | (2) 1/2-13 x 1-1/2 Bolts, (5) 1.0 Washers, and (3) 1/2-13 Nuts | 1 |

Tools Needed:

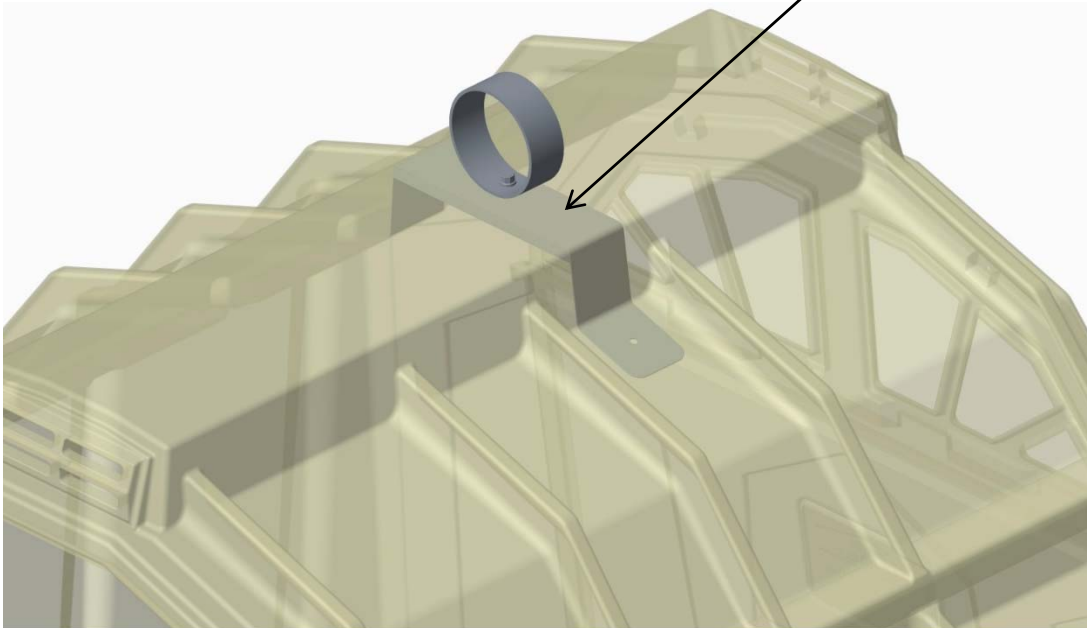
1. 9/16" Drill Bit
2. Drill
3. 1/2" Deep Well socket
4. 1/2" Wrench





HUTCH IS SHOWN TRANSPARENT
FOR BETTER VISUAL PERSPECTIVE
OF LIFTING BRACKET ASSEMBLY.

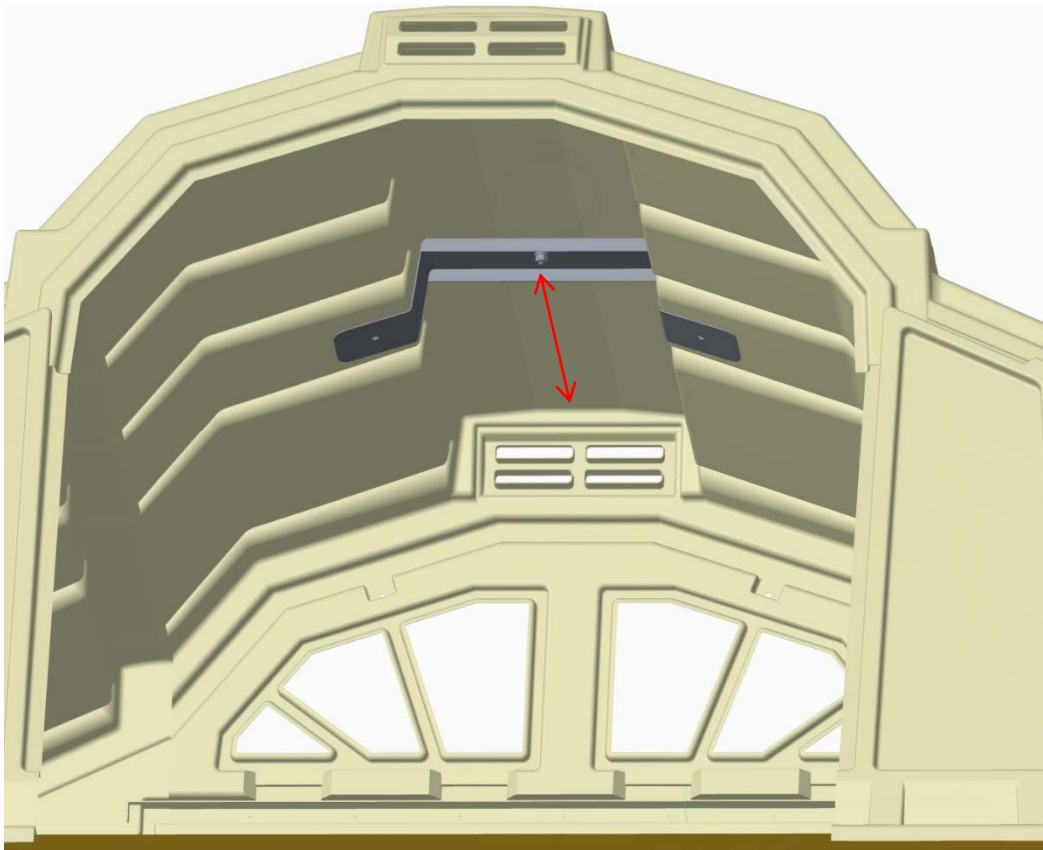
LIFTING BRACKET MOUNTS
ON INSIDE OF HUTCH





LOOKING FROM INSIDE THE HUTCH, DRILL THE CENTER HOLE IN ROOF MEASURING 26.50" FROM BACK INSIDE ROOF EDGE. THEN DRILL THE OTHER 2 HOLES USING A 9/16 DRILL.

NOTE: THE BRACKET CAN BE USED AS A DRILL GUIDE AS IT CONFORMS TO THE SHAPE OF THE INSIDE OF THE ROOF.





ASSEMBLE THE LIFTING RING
AND BRACKET TOGETHER
USING THE SUPPLIED
HARDWARE KIT **CT-HDWE-004**

