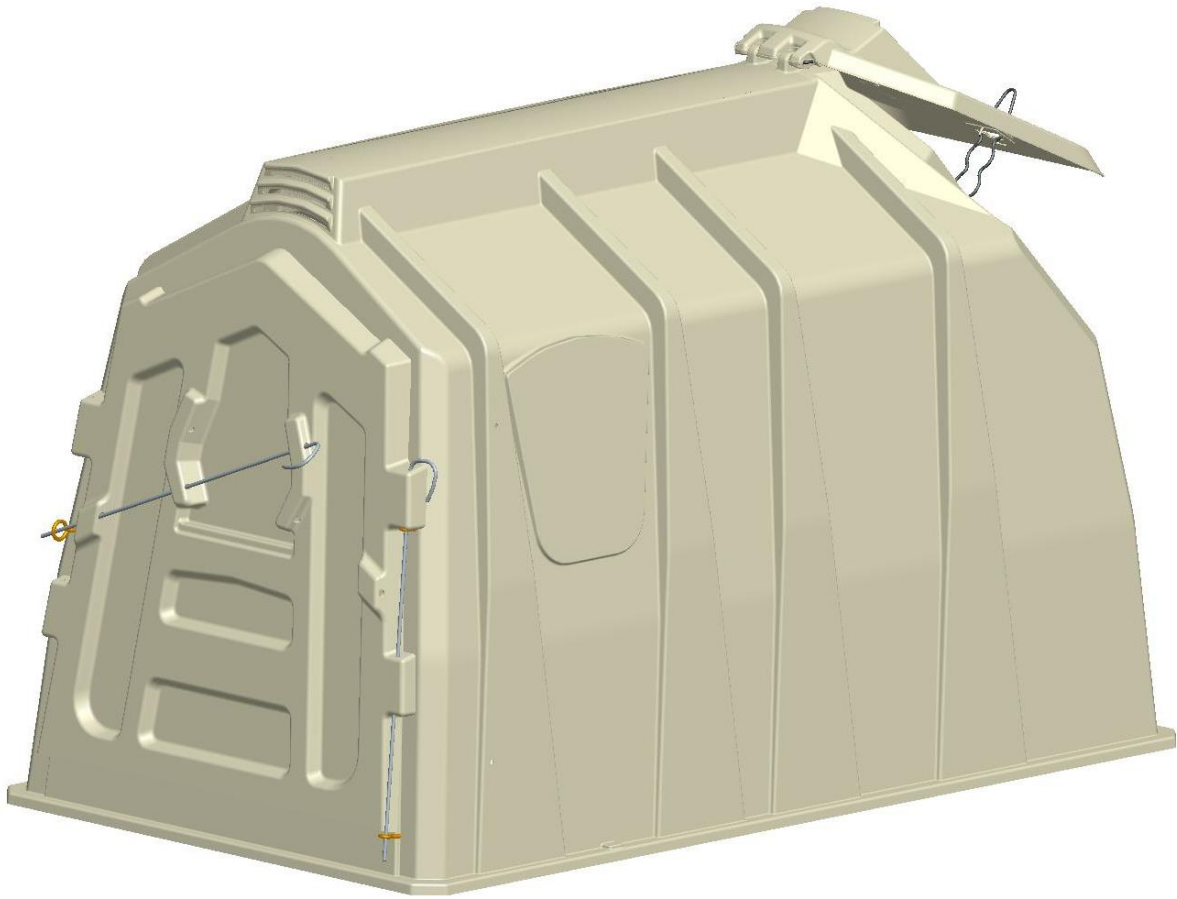




# CT-7000K

## Calf-Tel Front Door

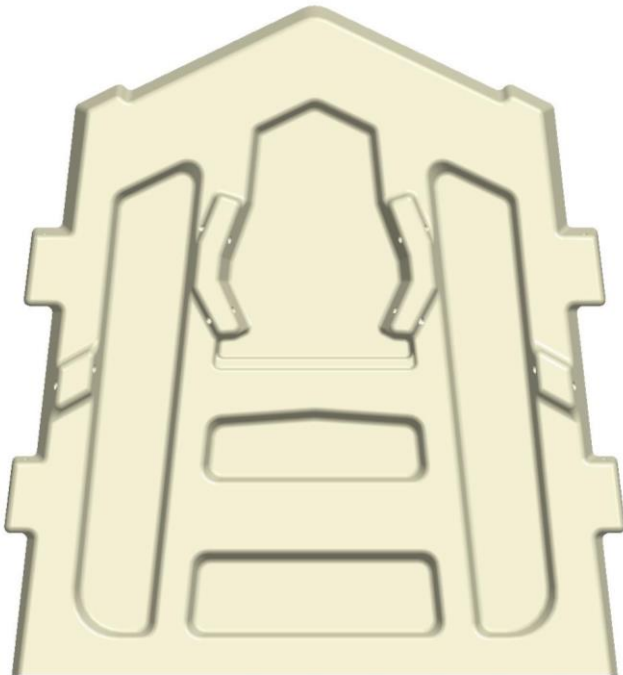
### Assembly Instructions





Qty	Item Number	Description
1	CT-7000	FRONT DOOR
2	CT-7100	L-ROD
1	CT-7150	LARGE DIA. EYEBOLT
1	CT-9100	EYEBOLT KIT (4 eyebolts w/hardware)

**TOOLS REQUIRED:**  
 ½" OPEN END WRENCH (2)  
 ½" SOCKET AND RATCHET



FRONT DOOR – 1 PER



L-ROD – 2 PER



LARGE DIA. EYEBOLT  
 – 1 PER



EYEBOLTS W/HARDWARE  
 – 4 PER



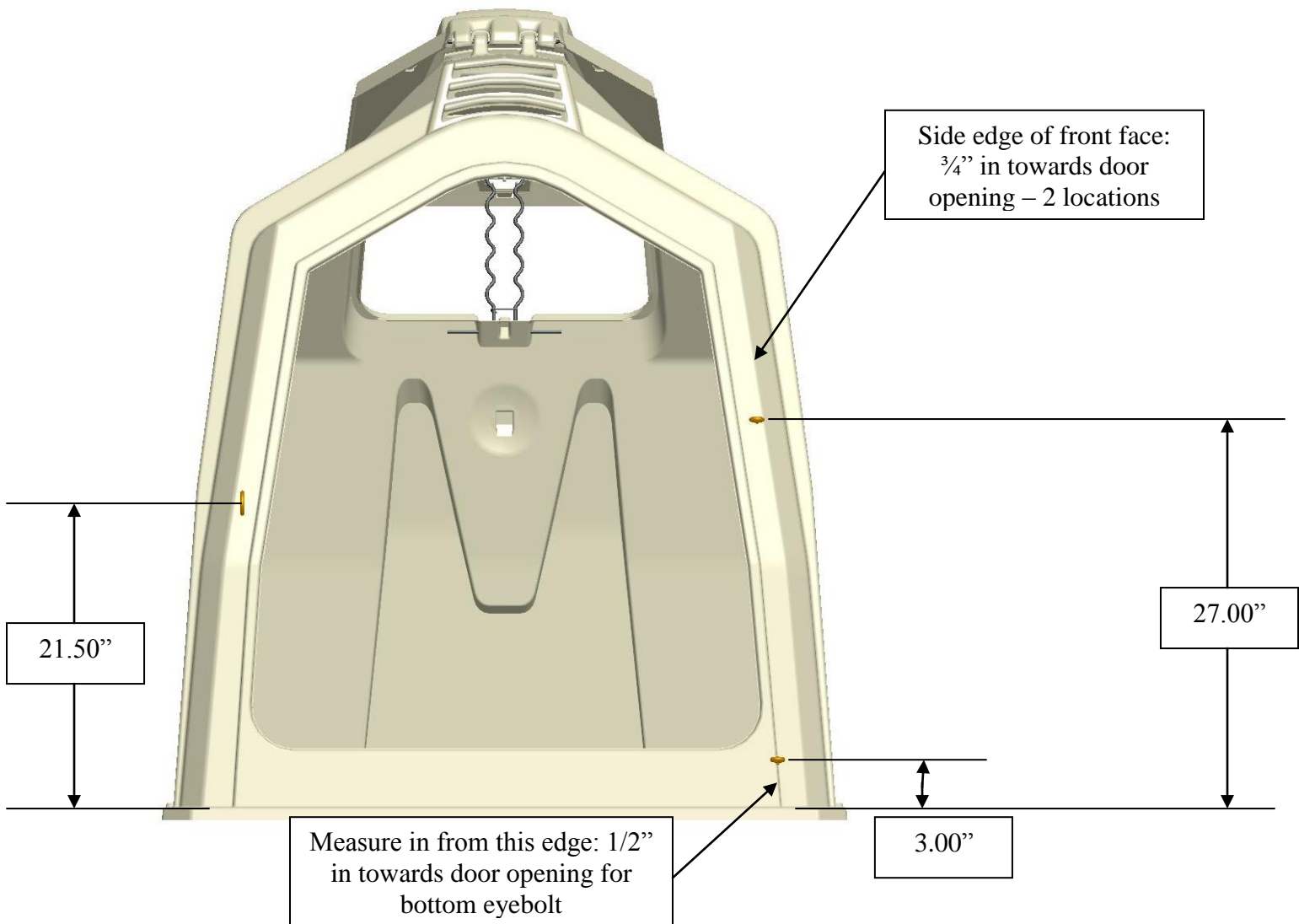
The Calf-tel Front Door may be installed in multiple configurations, the first set of instructions will guide you through the installation of a door that swings open to the right (as looking at the hutch)...to have a door that swings to the left, apply directions to the opposite side.

The last set of instructions will guide you through the installation of a door that DOES NOT swing.

STEP 1: Drill three (3) holes; 11/32" (tight) or 3/8" (loose) diameter, at the below dimensions measured off of the top surface of the bottom perimeter of the Calf-tel.

Holes should be 3/4" in (towards door opening) from the side edge of the front face.

**NOTE: The Calf-tel may have dimples in the corresponding locations, use dimples as drill points to drill holes.**

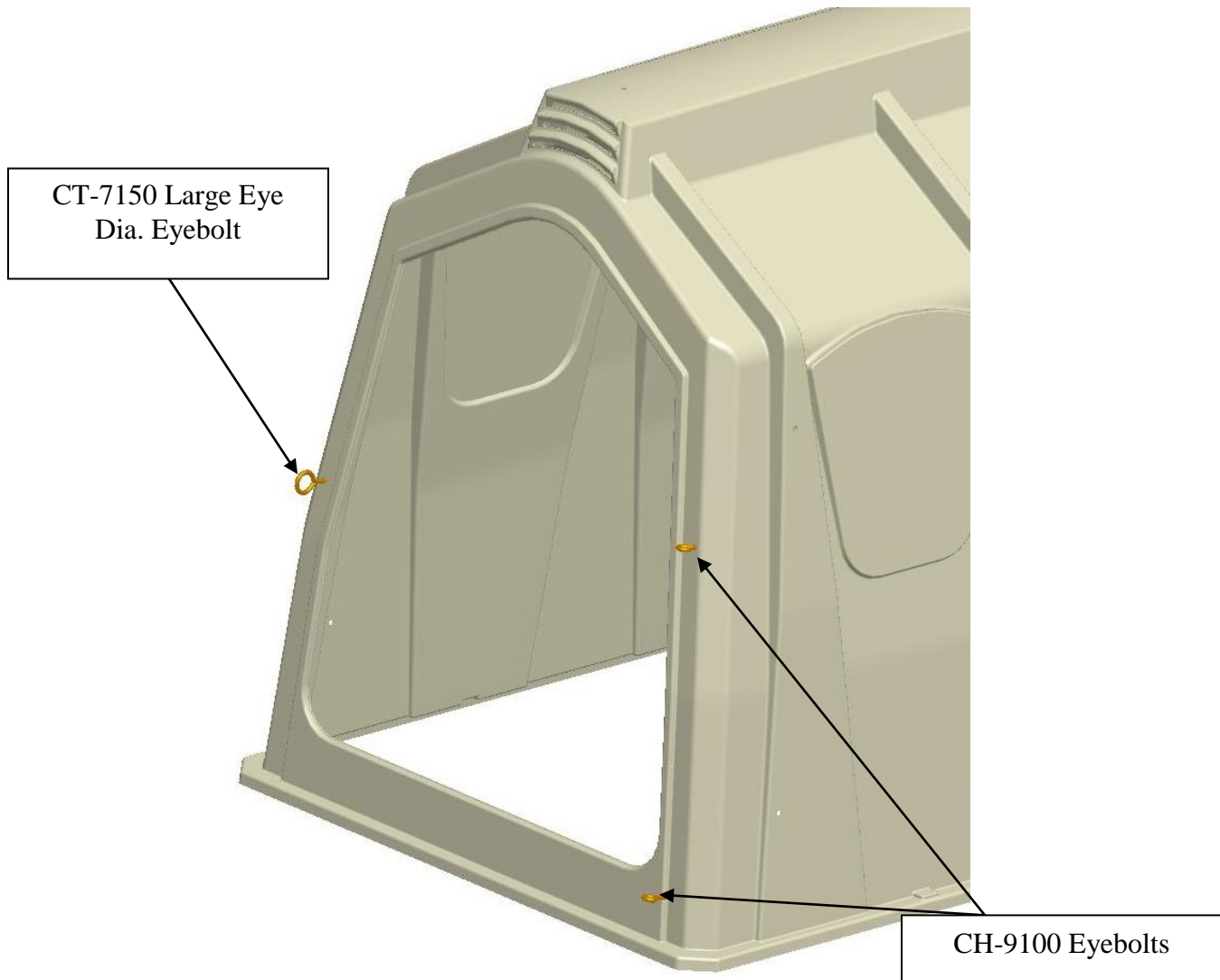




STEP 2: Attach three (3) eyebolts using the eyebolts and hardware supplied.

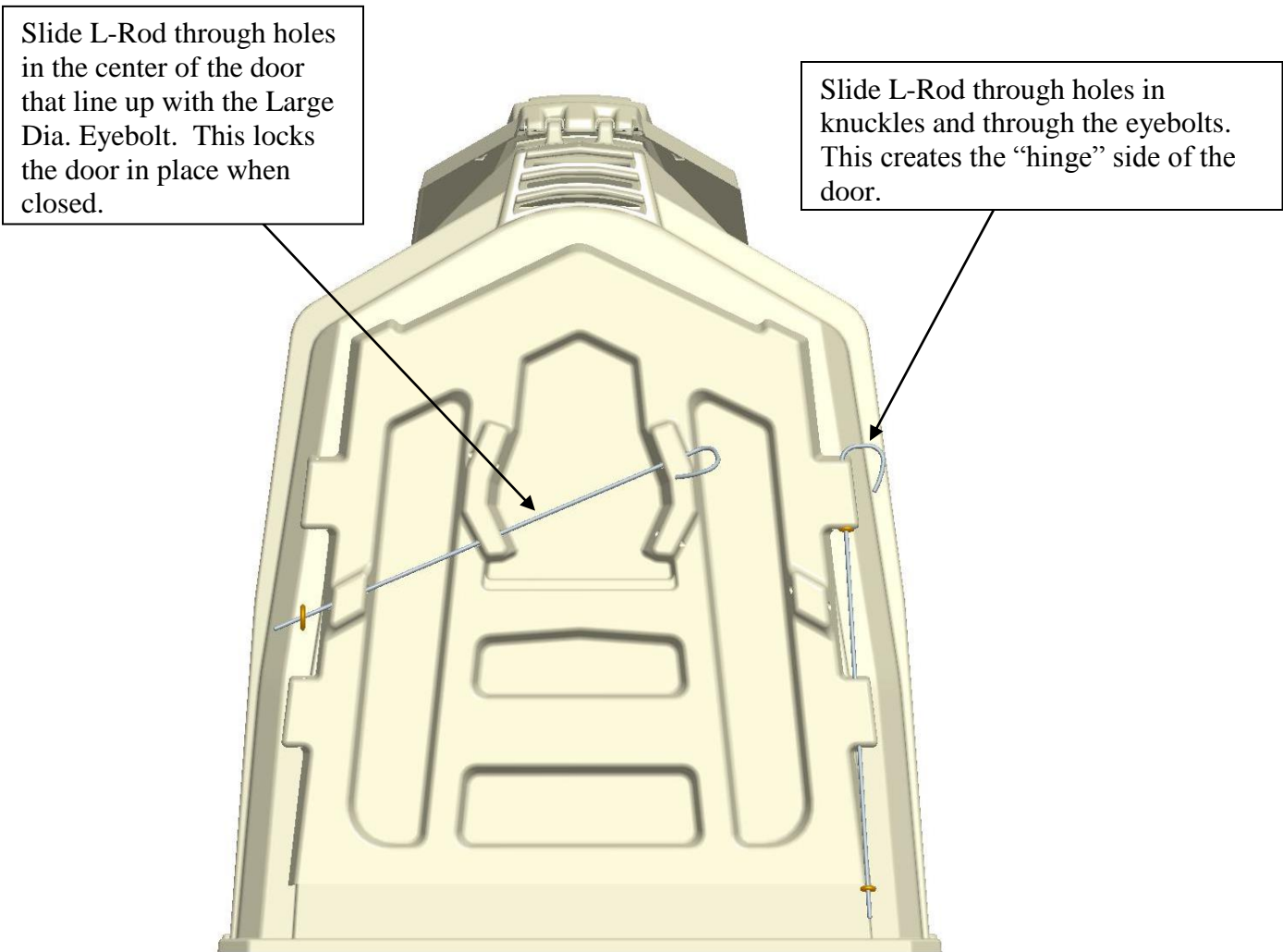
**NOTE: Extend the eyebolts so the center of the eye is approximately 1” out from the surface of the hutch...adjust if necessary to allow the door to swing freely**

**NOTE: When assembling the Calf-tel Front Door for a left or right swing installation, two (2) smaller eye eyebolts will be left over.**





STEP 3: Place the Calf-tel Front Door on the front face of the Calf-tel so the bottom of the knuckles are on the top of the two (2) eyebolts attached in the previous step.





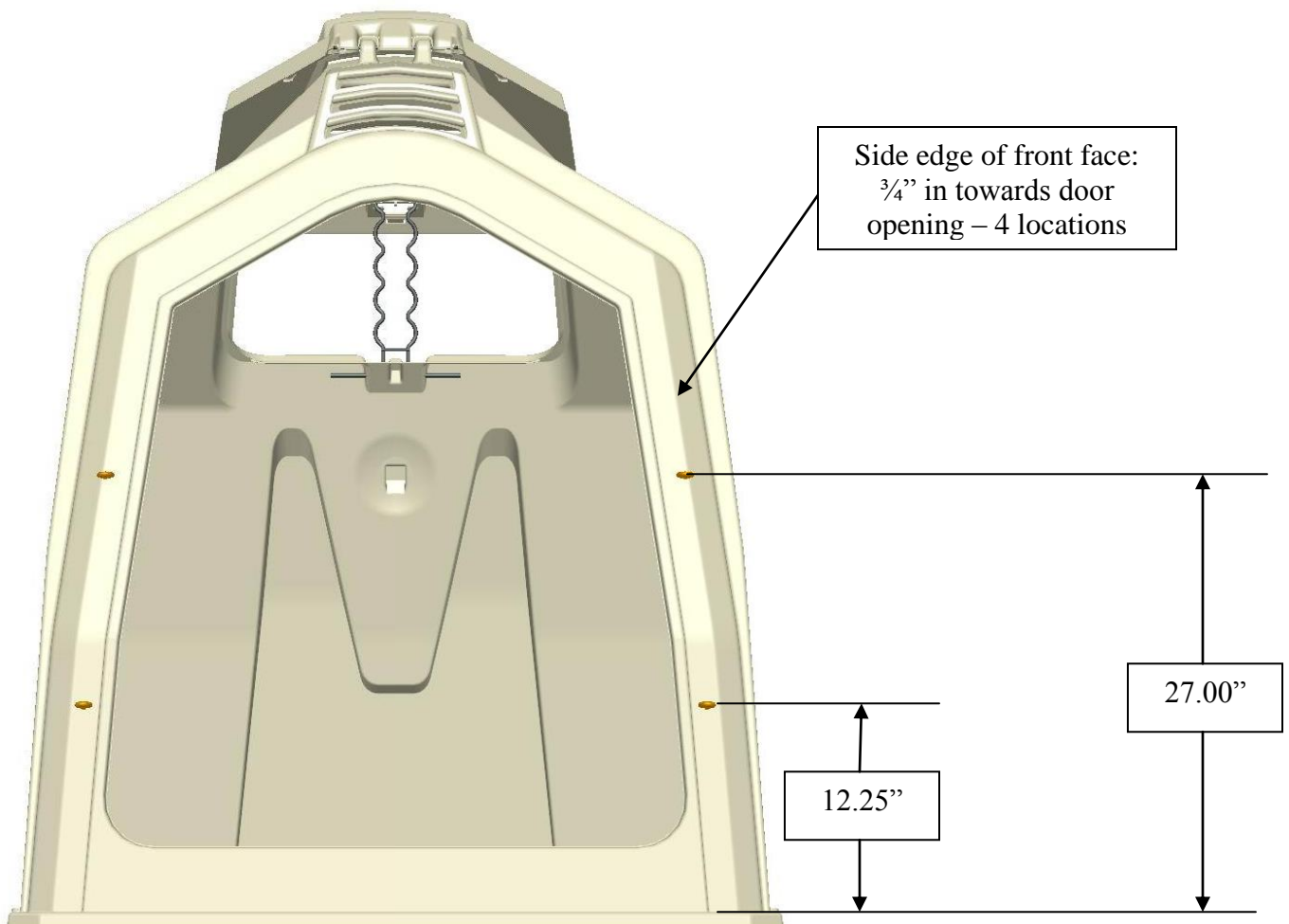
### ALTERNATIVE ASSEMBLY METHOD

**This set of instructions will guide you through the installation of a door that DOES NOT swing.**

STEP 1: Per the instructions in Step 1 above, drill two sets of two (2) holes on both the left and the right side of the front opening of the Calf-tel.

STEP 2: Attach two (2) eyebolts on the left side and two (2) eyebolts on the right side of the front opening.

**NOTE: You will have the large eye diameter eyebolt leftover.**





**STEP 3:** Place the Calf-tel Front Door on the front face of the Calf-tel so the bottom of the knuckles are on the top of the two (2) eyebolts attached in the previous step. Slide L-Rods into place as shown.

