



# CT-6191 PEN WALL ATTACHMENT

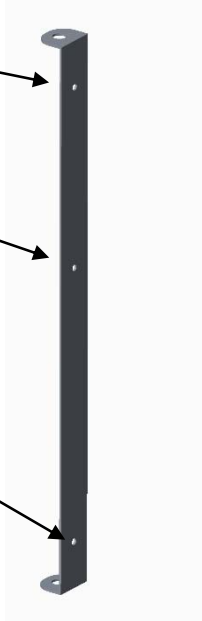
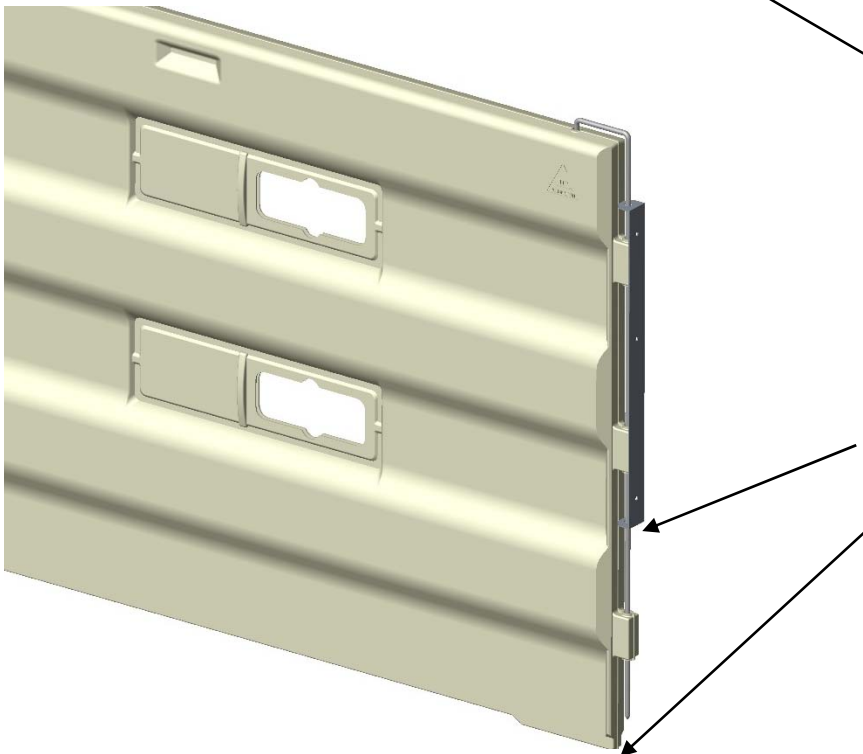
## Bill of Material

Item	Hempel Item Number	Description	Qty
1	CT-6191	PEN WALL BRACKET	1
2	CT-HDWE-003	1/4 X 2.5" LAG SCREW	3

**Tools Needed:**

- 5/16" Socket

USING (3) CT-HDWE-003 LAG SCREWS ANCHOR WALL BRACKET TO WALL.



BOTTOM OF BRACKET IS MOUNTED 17.0" UP FROM FLOOR.

PANEL BRACKETS ARE TO BE MOUNTED ON 46.25" CENTERS.