



Calf-Tel Ridge Vent Assembly Instructions

Calf-Tel Ridge Vent Bill of Material:

Item	Hampel Item Number	Description	Qty
1	CH-3347	Calf-Tel Ridge Vent	2
2	CH-9150-1	Calf-Tel Ridge Vent Hardware Kit	1

Tools Needed:

1. 2. 3/8" Deep Well socket
2. Ratchet

Step 1:

- A. Assemble CH-3347 Ridge Vent by pulling each vent through the opening in the ridge from the inside, aligning the hole in the ridge with the hole in the vent.
- B. Secure vent with eyebolt, washers and hex nut as shown in Figure 1.

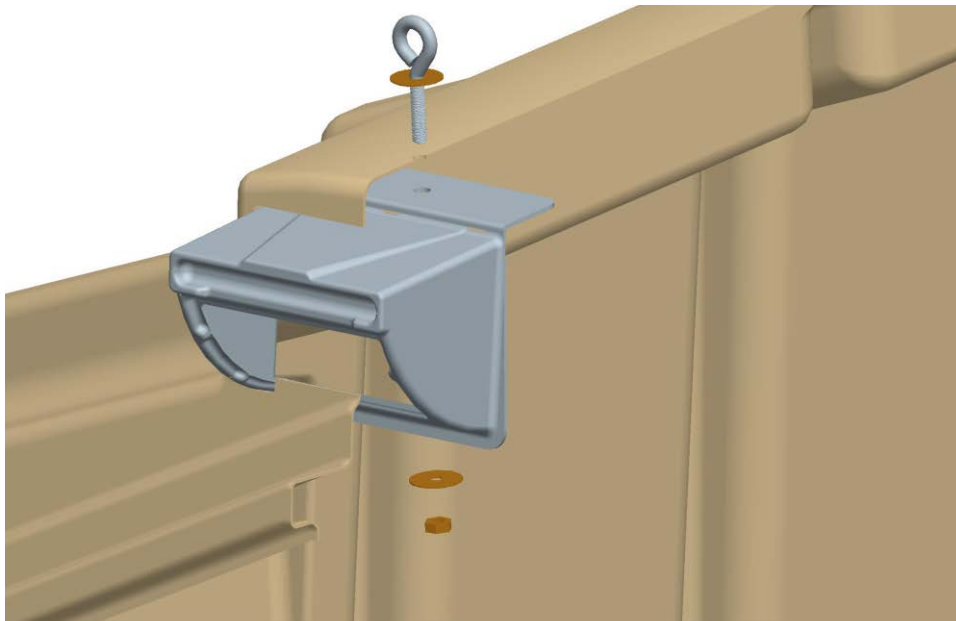


Figure 1