



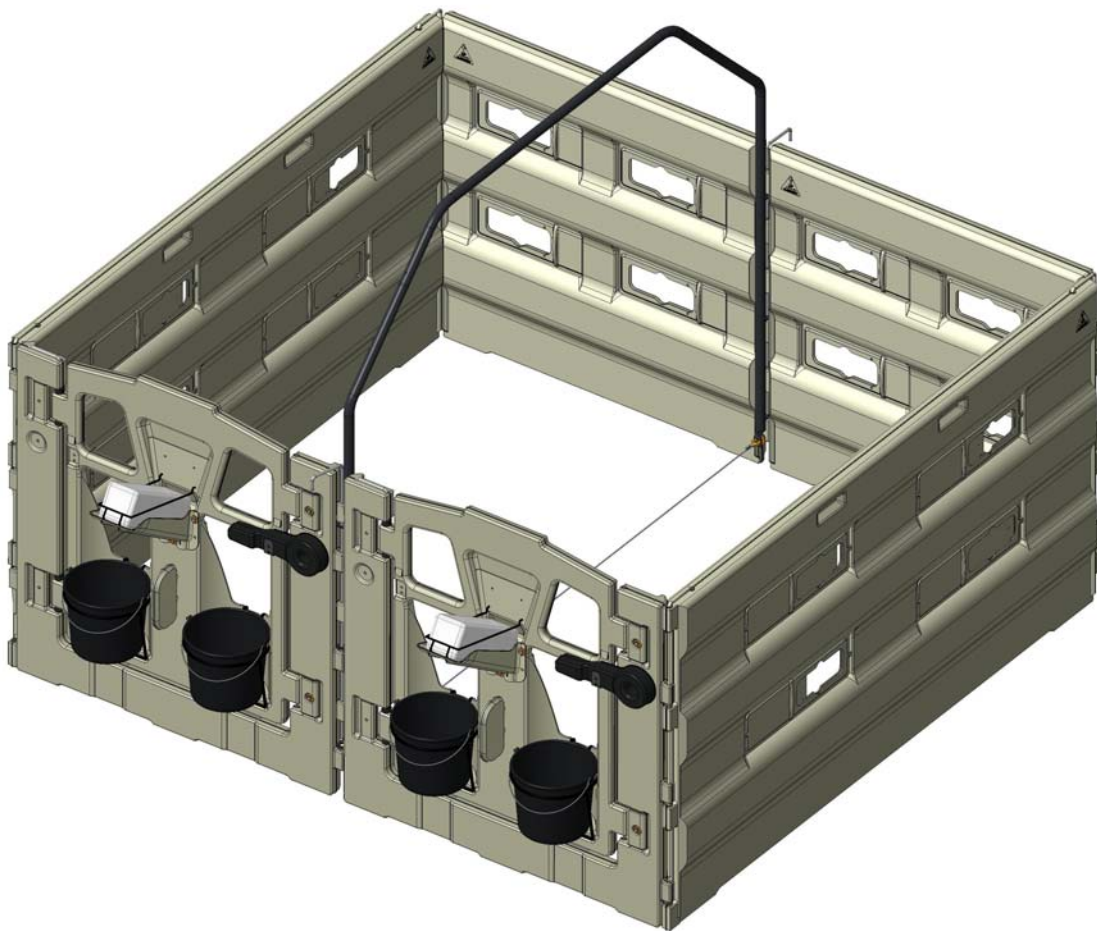
CT-6310K/CT-6320K PEN GROUPING SYSTEM

CT-6310K 6FT PEN GROUPING SYSTEM Bill of Materials:

Item	Hampel Item Number	Description	Qty
1	CT-6315	Pen Group 6' Crossover	1
2	CT-6310	Pen Group 6' cable w/hardware	1
3	CT-6305	Pen Group Upright	2

CT-6320K 7FT PEN GROUPING SYSTEM Bill of Materials:

Item	Hampel Item Number	Description	Qty
1	CT-6325	Pen Group 7' Crossover	1
2	CT-6320	Pen Group 7' cable w/hardware	1
3	CT-6305	Pen Group Upright	2





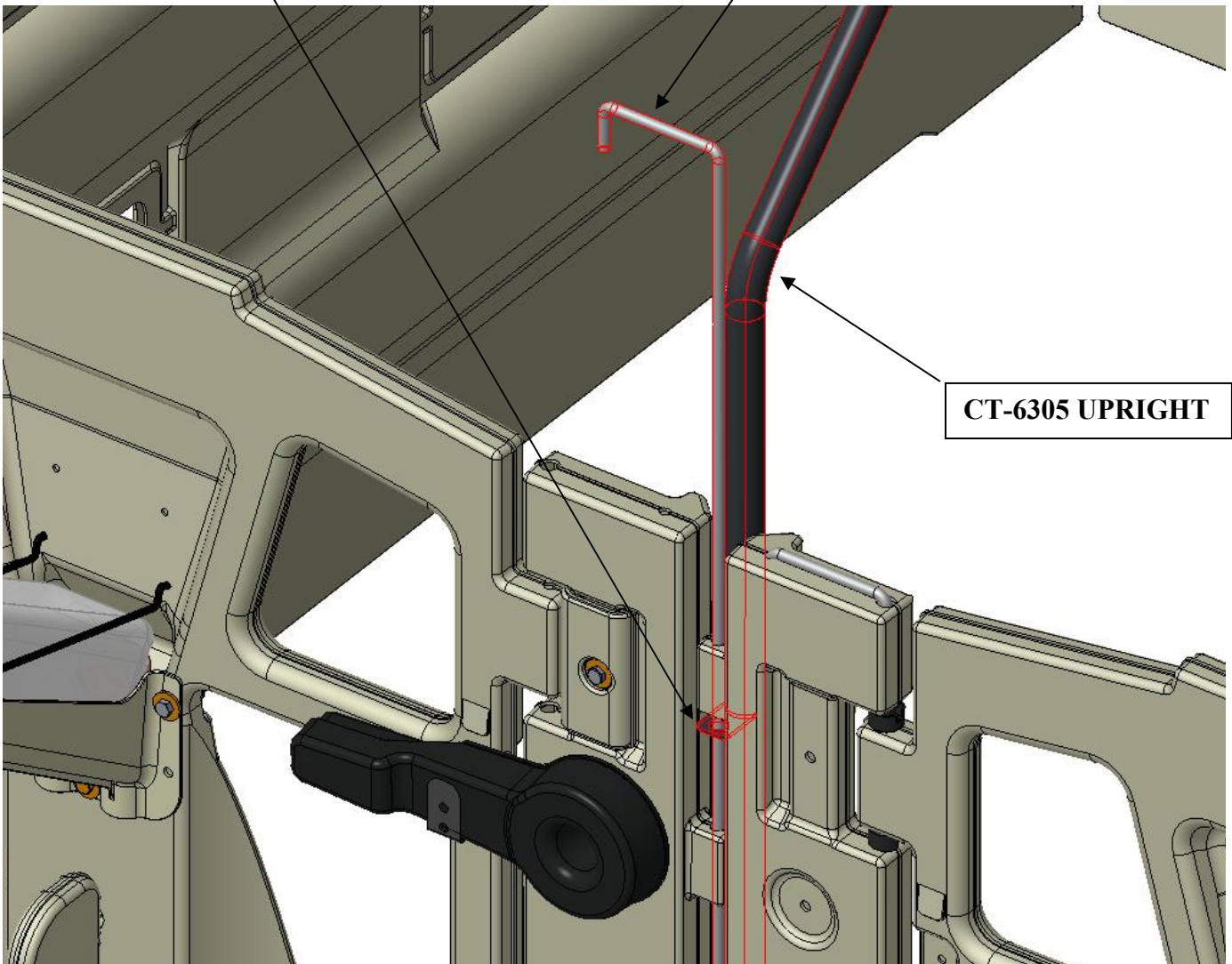
ATTACHING THE CT-6305 UPRIGHT TO DOOR FRAME

TAKE ONE OF THE UPRIGHTS AND ALIGN THE TOP TAB OF THE UPRIGHT UNDER THE TOP KNUCKLE OF THE DOOR FRAME.

SLIDE THE HINGE ROD DOWN THROUGH THE UPRIGHT TABS AND THE FRAME KNUCKLES.

CT-6156 L-ROD

CT-6305 UPRIGHT

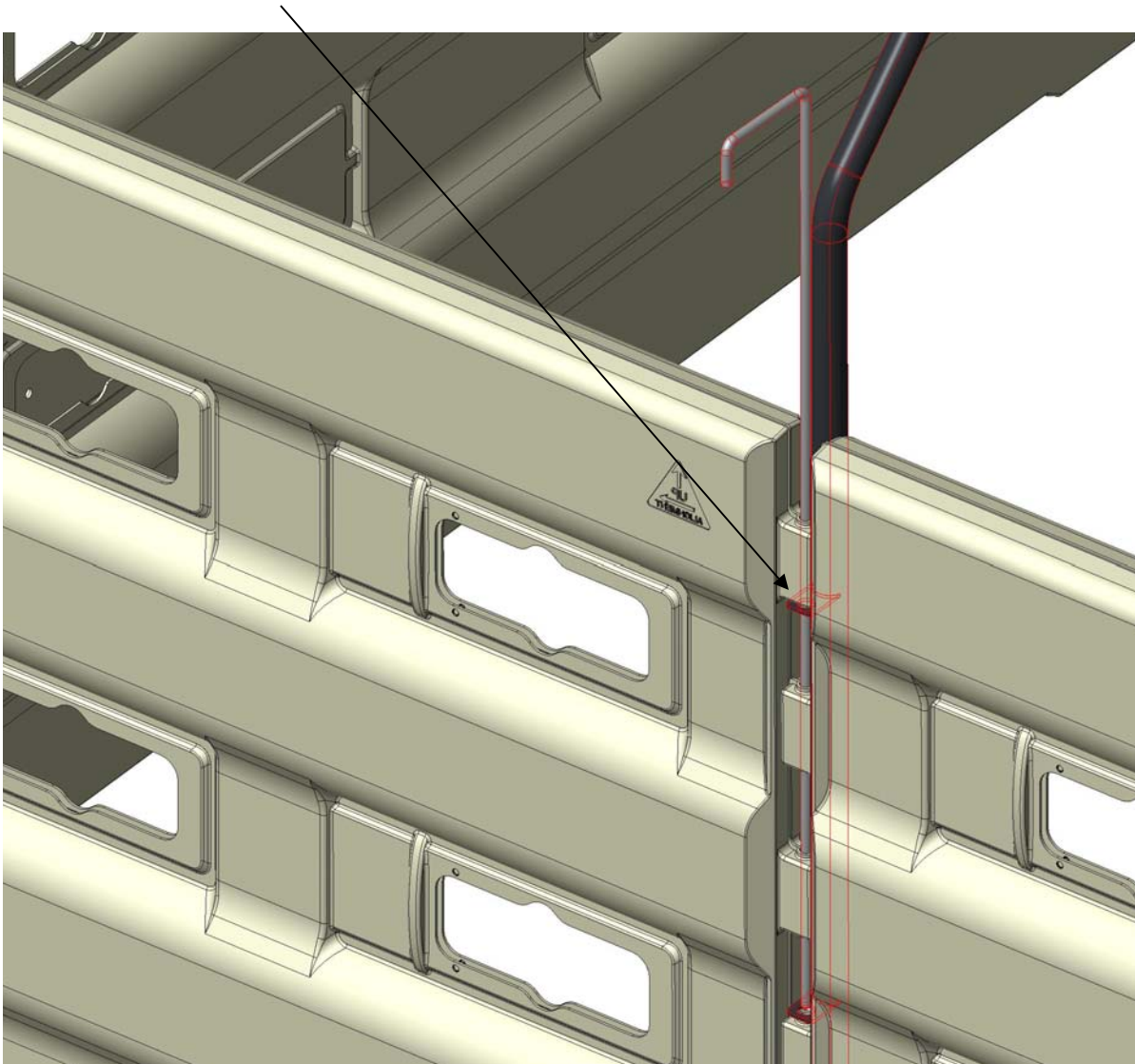




ATTACHING THE CT-6305 UPRIGHT TO DOOR FRAME

FOLLOW THE SAME PROCEDURE AS THE FRONT UPRIGHT AND ALIGN THE TOP UPRIGHT TAB UNDER THE TOP REAR PANEL KNUCKLE.

SLIDE THE HINGE ROD DOWN ALIGNING THE TABS WITH THE PANEL KNUCKLES.



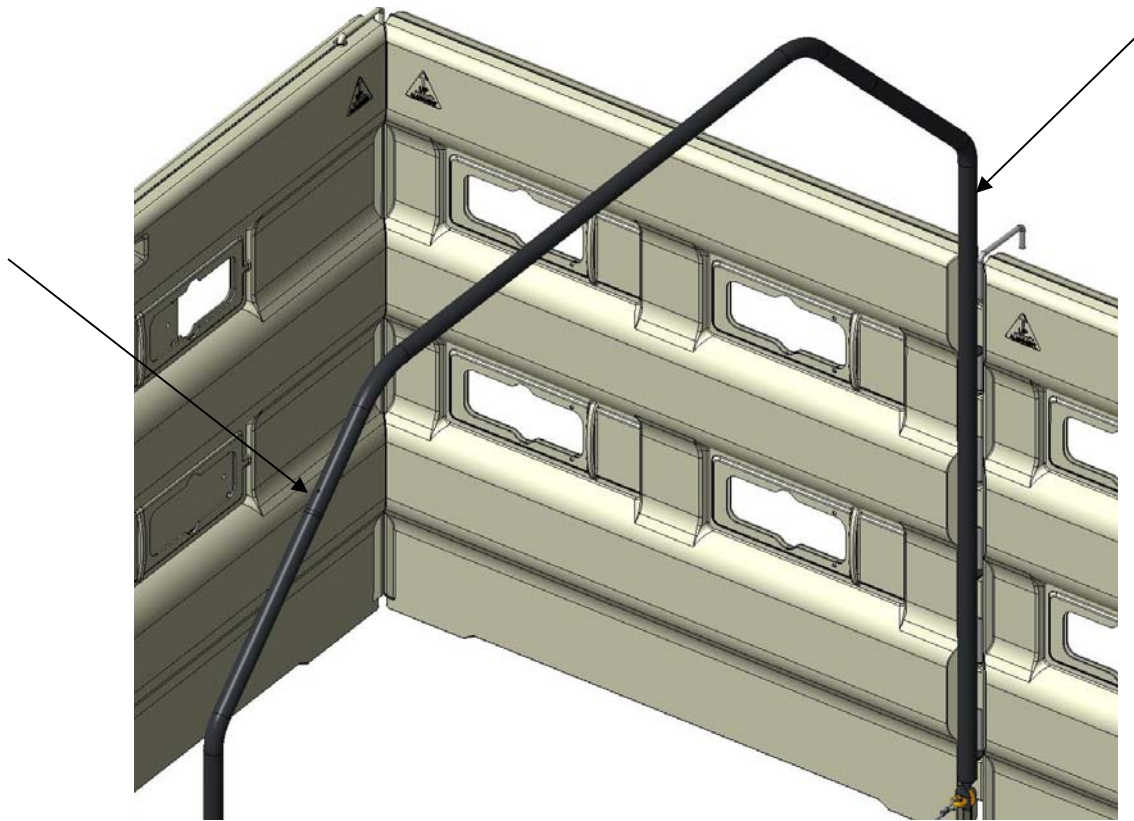


ATTACHING THE CT-6315 CROSSOVER TO UPRIGHTS

SLIDE THE TOP CROSSOVER SECTION OVER EACH UPRIGHT.

USING THE PROVIDED SCREWS, FASTEN THE TOP CROSSOVER TO THE FRONT AND BACK UPRIGHT.

NOTE: THE SCREW USED FOR FASTENING THE UPRIGHT TO THE TOP CROSSOVER COMES PRE-INSTALLED INTO THE UPRIGHT. YOU WILL NEED TO BACK THE SCREW OUT USING A 5/16 RATCHET, ASSEMBLE THE UPRIGHT AND CROSSOVER, AND THEN FASTEN TOGETHER.





ATTACHING THE CT-6310/CT-6320 TETHER ASSEMBLY TO UPRIGHTS

NOTE:

THE TETHER AND MOUNTING HARDWARE WILL COME ALREADY ASSEMBLED. YOU WILL NEED TO TAKE THE NUT AND WASHERS OFF TO ASSEMBLE THE EYEBOLT TO THE UPRIGHTS.

ASSEMBLE THE TETHER WITH THE NUT AND WASHERS ON THE INSIDE OF BOTH UPRIGHTS AS SHOWN BELOW

