

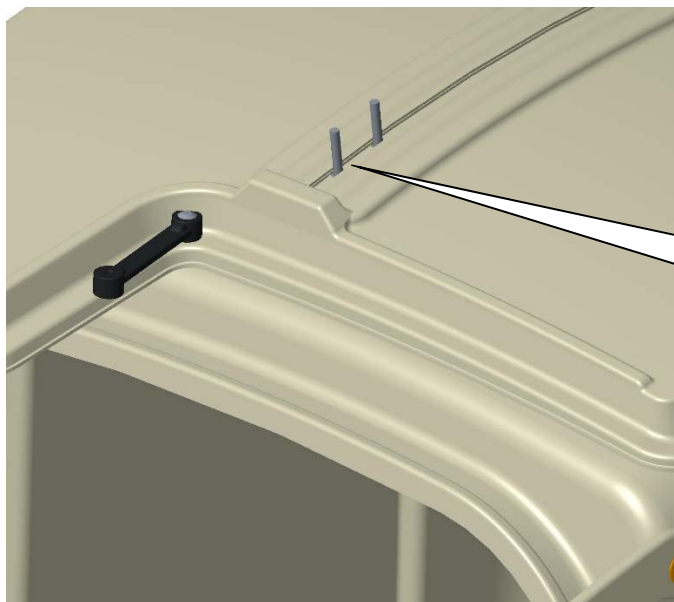




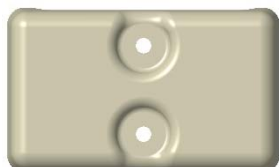




## ASSEMBLY OF CT-10002 COVER



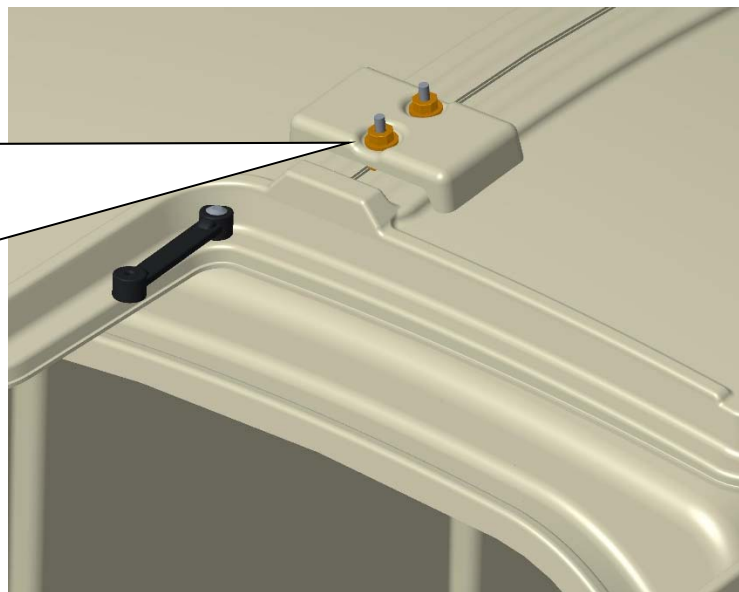
USING THE PRE-ROUTED SLOT IN THE CT-10002 COVER, PLACE THE COVER OVER THE CT-10014 LOCKING PLATE STUDS.



USING (2) CT-HDWE-015 LOCK NUTS, AND (2) CT-HDWE-007 WASHERS, ASSEMBLE THE CT-10011 COVER LOCK.

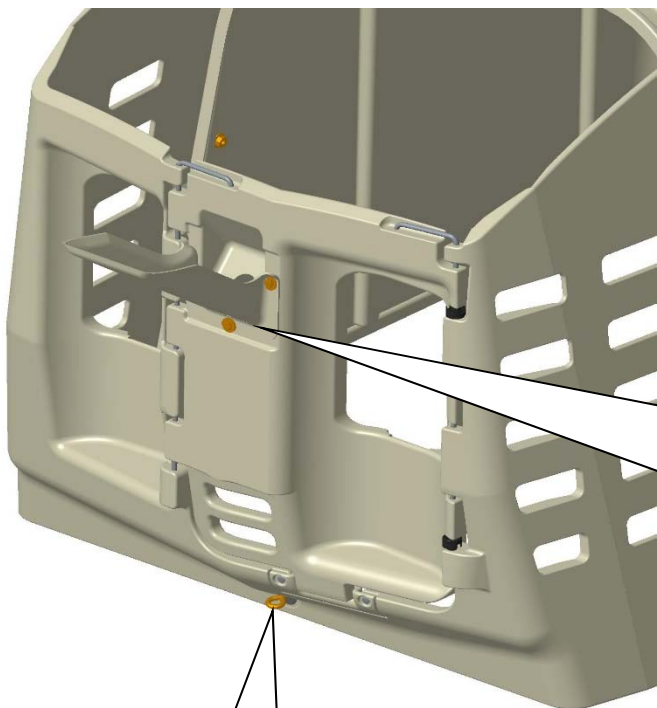
**NOTE: DO NOT OVER TIGHTEN! TIGHTEN COVER LOCK SO THAT COVER SLIDES TO THE DESIRED RESISTENCE.**

**TOOLS NEEDED:**  
½ SOCKET AND RATCHET





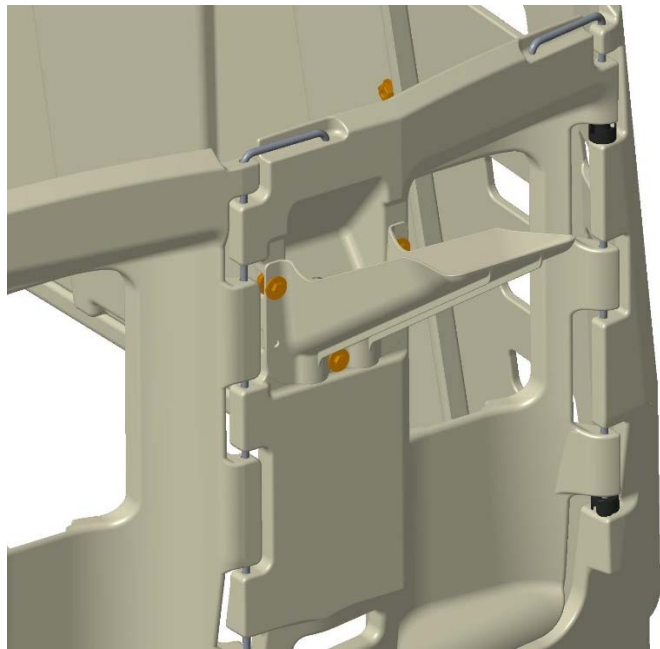
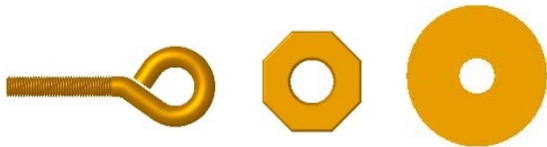
## ASSEMBLY OF CT-10015 CHUTE BOTTLE HOLDER



USING (3) CT-HDWE-009 SCREWS, (3) CT-HDWE-015 LOCK NUTS, AND (6) CT-HDWE-007 WASHERS, MOUNT THE CT-10015 BOTTLE HOLDER TO THE FRONT.

**TOOLS NEEDED:**  
½ OPEN END WRENCH  
½ SOCKET AND RATCHET

USING (1) CT-HDWE-019 EYEBOLT, (1) CT-HDWE-015 LOCK NUTS, AND (2) CH-5113 WASHERS, FASTEN THE EYEBOLT TO THE FRONT ASSEMBLY.

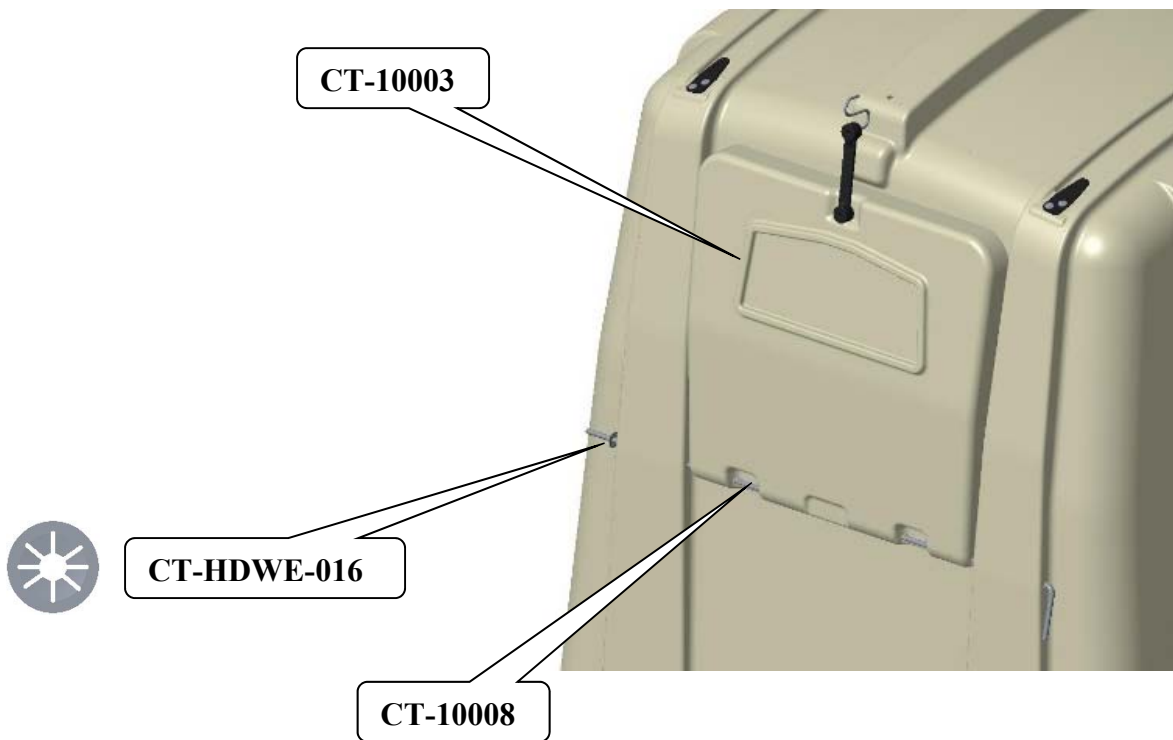




### ASSEMBLY OF CT-10003 BACK VENT COVER

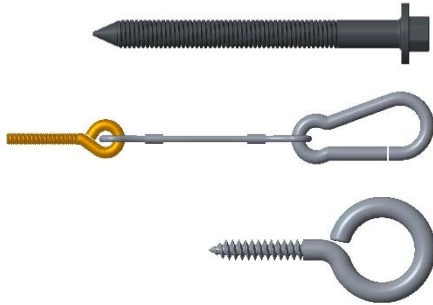


ASSEMBLE THE **CT-10003** BACK VENT COVER BY SLIDING THE **CT-10008** BACK VENT ROD THRU THE PRE-DRILLED HOLES. LOCK THE ROD IN PLACE WITH THE **CT-HDWE-016** PUSH NUT.





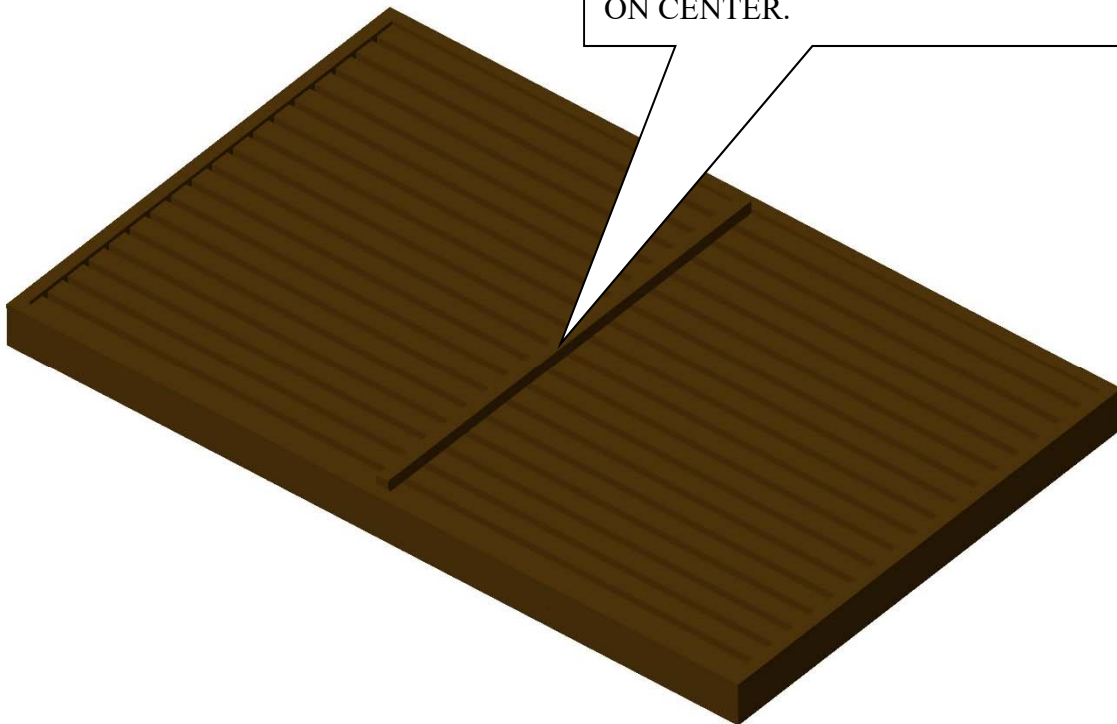
### ASSEMBLY OF CT-ECS SYSTEM



Item	Item Number	Description	QTY
1	CT-10004	CORNER HOLD DOWN 17 54	2
2	CT-10005	CENTER HOLD DOWN 17 54	1
3	CT-HDWE-012	SCREW – FLANGED HEAD LAG	14
4	CT-HDWE-013	EYEBOLT WITH TETHER, 17 54	1
5	CT-HDWE-018	EYEBOLT HOLD DOWN	2

**NOTE:** CUSTOMER IS TO SUPPLY AND INSTALL 2.0" X 2.0" WOOD BRACE BEFORE ASSEMBLING HUTCHES TO THE BASE.

THE BRACE IS TO BE INSATLLED ON CENTER.



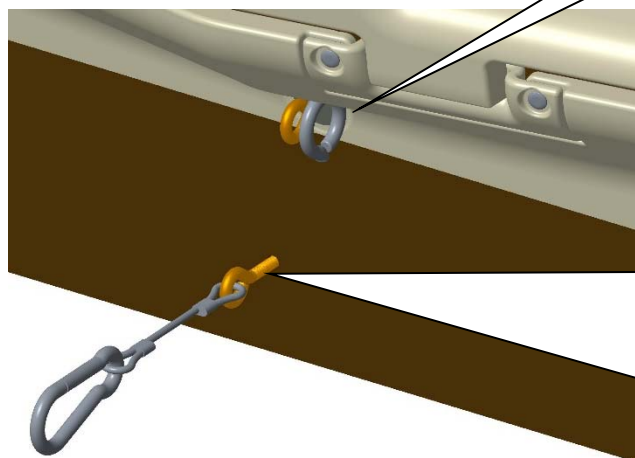


## ASSEMBLY OF EYEBOLT AND TETHER



**CT-HDWE-018**

**YOU MAY NEED TO DRILL  
A PILOT HOLE TO TURN IN  
EASIER**



**TO SECURE THE FRONT OF THE  
HUTCH TO THE BASE, USE THE  
SUPPLIED **CT-HDWE-013** TETHER  
ASSEMBLY, AND THE **CT-HDWE-  
018** EYEBOLT.**

**DRILL A 3/8" HOLE THROUGH THE  
BASE AT THE DESIRED LOCATION.**

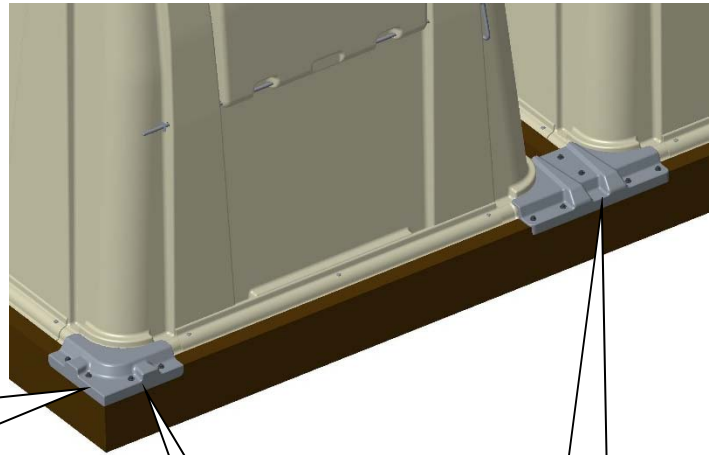
**ATTACH THE TETHER ASSEMBLY  
WITH (2) **CT-HDWE-007** WASHERS,  
AND (1) **CT-HDWE-015** LOCK NUT.**

**TOOLS NEEDED:  
1/2 SOCKET AND RATCHET  
DRILL AND 3/8 DRILL BIT**





## ASSEMBLY OF REAR HUTCH HOLD DOWNS



TO SECURE THE BACK OF THE HUTCH TO THE BASE, USE THE **CT-10004**, AND **CT-10005** HOLD DOWNS. FASTEN WITH THE **(14) CT-HDWE-012** LAG SCREWS.

**TOOLS NEEDED:**  
5/16 SOCKET AND RATCHET

**CT-10004**

**CT-10005**