



## Tether Kit Installation Instructions CT-5000-INST

### (CT-5000) Tether Assembly Bill of Material:

Item	Hampel Item Number	Description	Qty
1	CT-HDWE-040	Cable, 43" Tether Cable	1
2	CH-5120	Collar, Black Nylon, 1"x24"	1
3	CH-3261	Chain, w/Snaps	1
4	CT-9100	Parts Kit, 5/16"(Eyebolts, Washers, Nuts)	1
5	CT-5000-INST	Instructions, Tether Installation, Calf-tel II	1

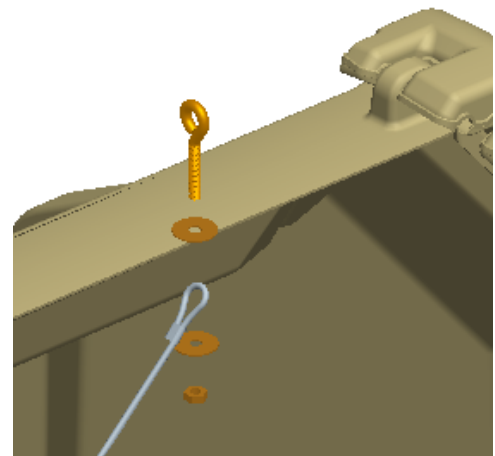
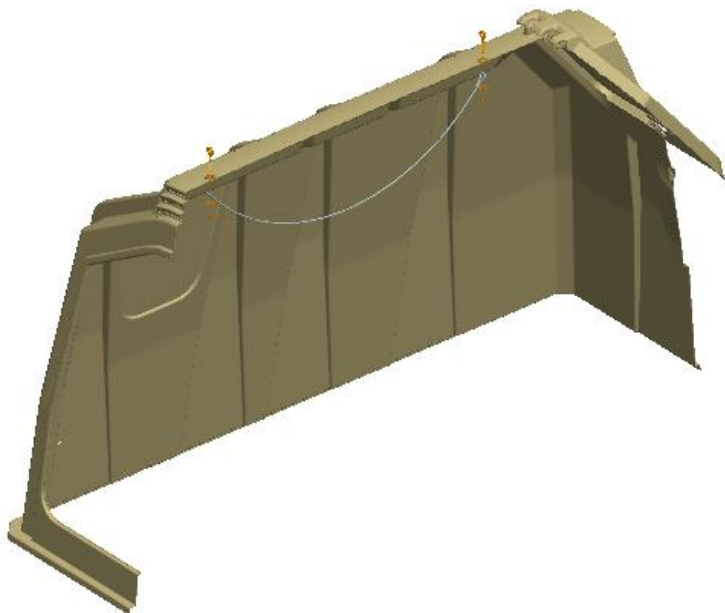
Step #1: Using the spots located on the top ridge of the 24|74. Drill (2) 3/8" holes. Step

#2: Place a washer onto an eyebolt and insert the eyebolts into each hole.

Step #3: On the inside of the Calf-tel. Place the loop end of the cable over the previously inserted eyebolt, and secure with another washer and the nut. See Detail View 1.

Step #4: Repeat with the opposite end of the cable.

Step #5: Snap one end of the chain onto the cable. The other end of the chain will snap onto the collar once the collar is on the calf.



Detail View 1